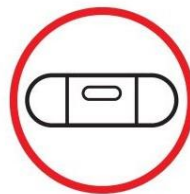
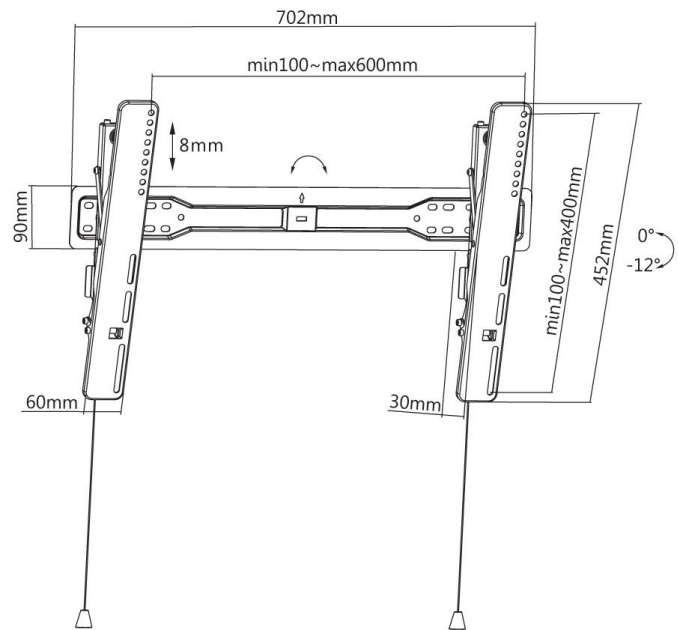
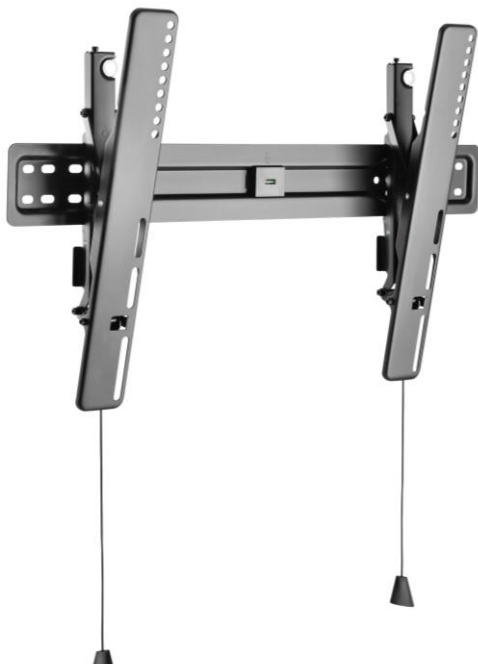


reflecta Premium SLIM 70-6040T



Product information:

- Universal and tiltable TV Wall mount
- Max. loading weight 35 kg
- Vesa: 200x200, 300x200, 300x300, 400x200, 400x300, 400x400, 600x400
- 37-70" (94-178 cm)
- Tilt range: 0°/-12°
- Profile: 30 mm
- Water level
- Magnetic quick release straps

Code.: 23152

EAN: 4005039231520

Specifications subject to change without prior notice.



reflecta gmbh

Merkurstrasse 8
D-72184 Eutingen

Phone: +49 (0) 7457 9465-60

Fax: +49 (0) 7457 9465-72

e-mail: mail@reflecta.de

http: www.reflecta.de