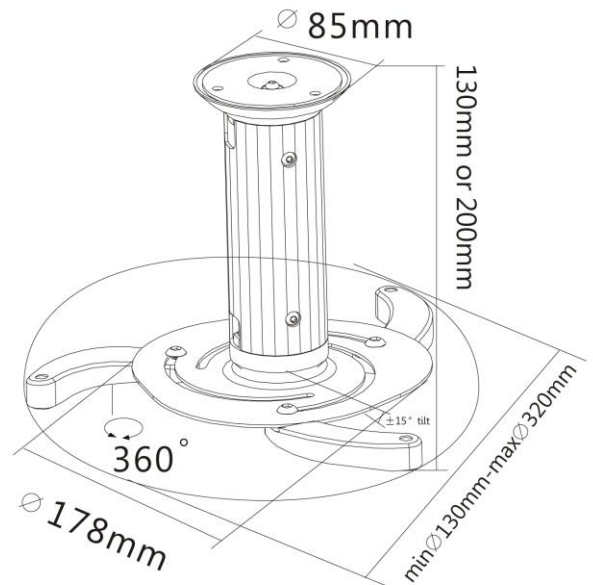


reflecta Medusa II



Product information:

- Universal ceiling mount for projectors
- Max. loading weight: 10 kg
- Height 13 or 20 cm (two rods included in delivery)
- Tilt: +/- 15°
- 360° Rotation
- Cable management

Code: 23068

EAN: 4005039230684

Specifications subject to change without prior notice

reflecta gmbh
 Merkurstrasse 8
 D-72184 Eutingen
 Phone: +49 (0) 7457 9465-60
 Fax: +49 (0) 7457 9465-72
 e-mail: mail@reflecta.de
 http: www.reflecta.de