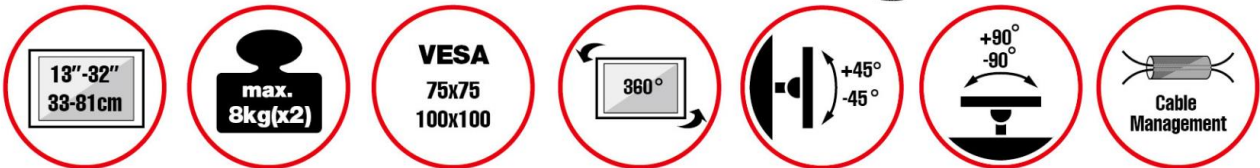
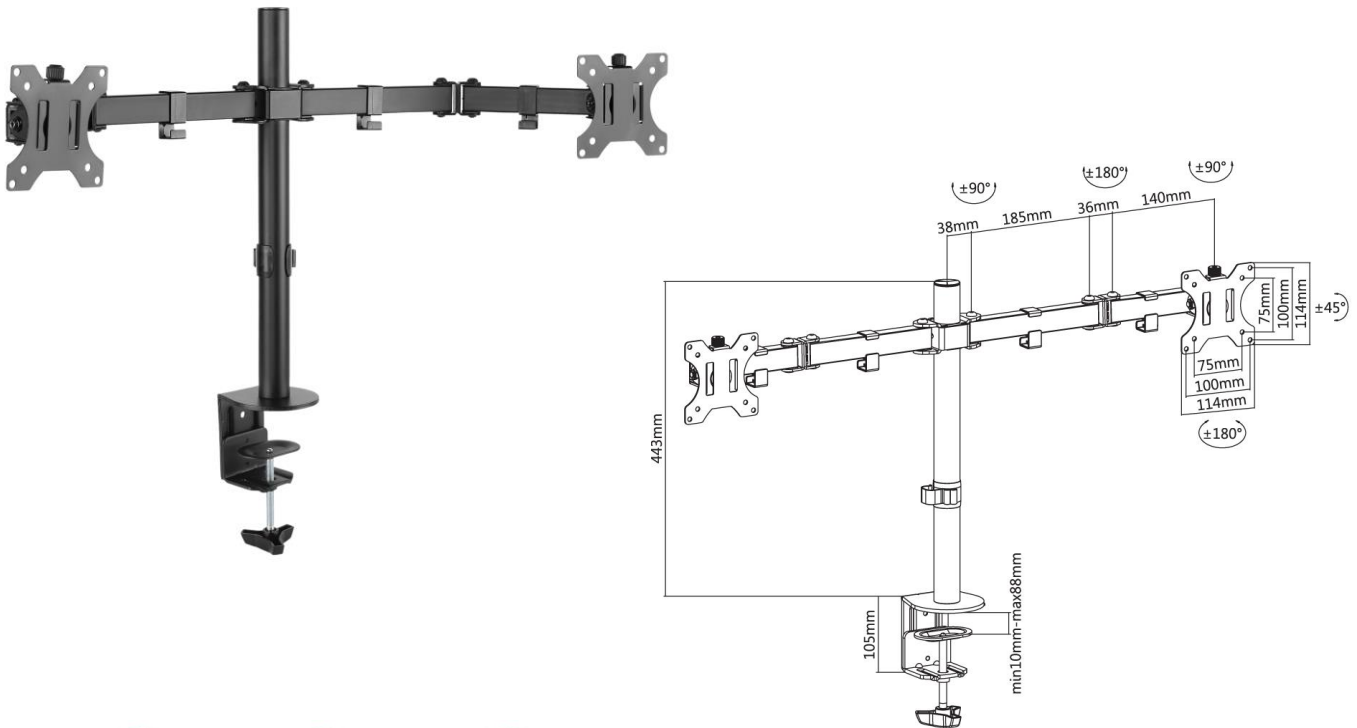


## reflecta FLEXO Desk 32-1010 D



### Product information:

- Universal monitor mount
- 13''-32'' (33-81 cm)
- Max loading weight: 8 kg (per arm)
- Vesa: 75x75, 100x100
- 360° Rotation
- Tilt: +/-45°
- Swivel: +/-90°
- Cable management
- Installation: Grommet or Clamp

Code: 23253  
 EAN: 4005039232534

Specifications subject to change without prior notice

**reflecta gmbh**  
 Merkurstrasse 8  
 D 72184 Eutingen  
 Phone: +49 (0) 7457 9465-60  
 Fax: +49 (0) 7457 9465-72  
 e-mail: [mail@reflecta.de](mailto:mail@reflecta.de)  
 http: [www.reflecta.de](http://www.reflecta.de)