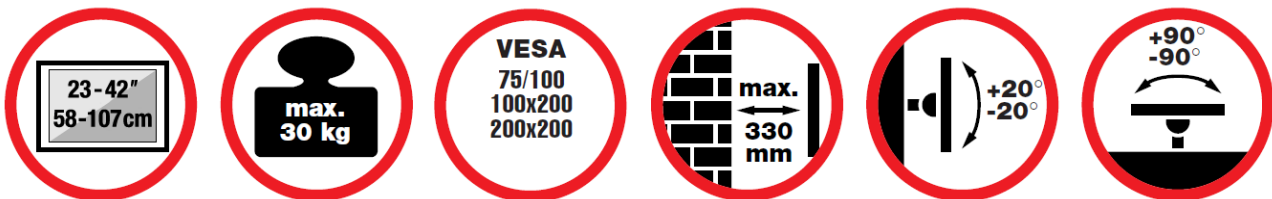
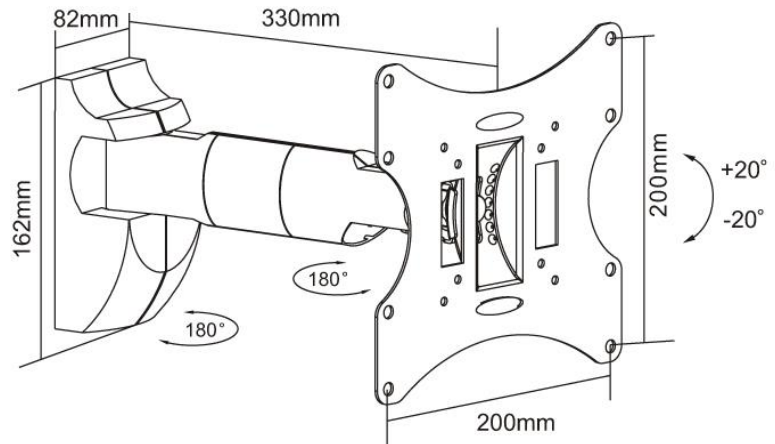


reflecta FLEXO 40-200 (silver) & FLEXO 40-200B (black)



Product information:

- Universal full motion wall mount for TVs
- Max loading weight 30 kg
- 23 – 42“ (58 -107 cm)
- Vesa: 75x75, 100x100, 100x200, 200x200
- Distance to wall: max 33cm
- Tilt: +/-20°
- Swivel: +/-90°

Code: 23108 (silver) & 23111 (black)
 EAN: 4005039231087 (silver) & 4005039231117 (black)

Specifications subject to change without notice.



reflecta gmbh

Merkurstrasse 8
 D-72184 Eutingen

Phone: +49 (0) 7457 9465-60

Fax: +49 (0) 7457 9465-72

e-mail: mail@reflecta.de

http: www.reflecta.de