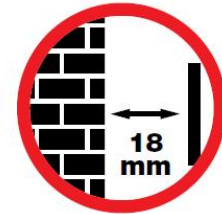
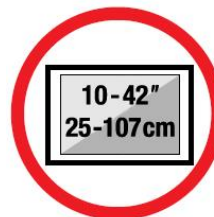
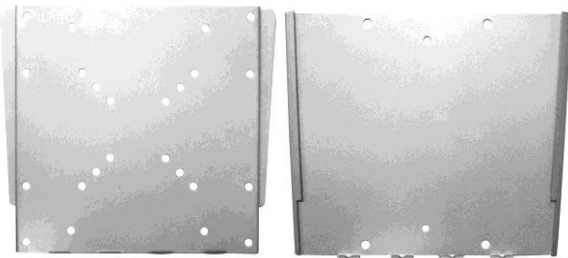
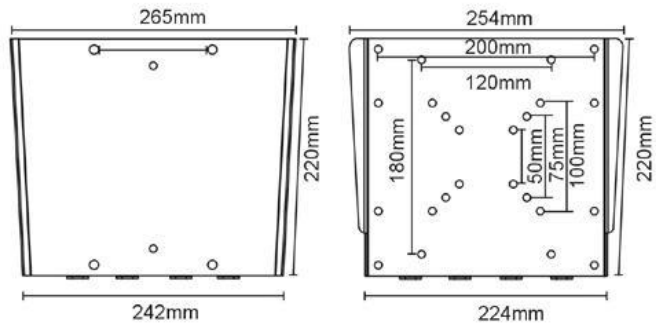


## reflecta Plano Flat Small 40 (silver) and 40B (black)



### Product information:

- Universal wall mount for TVs
- Max loading weight 30 kg
- 10 – 42" (25-107 cm)
- Vesa: 50x50, 75x75, 100x100, 100x200, 120x180, 200x100, 200x200
- Wall distance: 18 mm
- Easy installation
- Cost-effective alternative

Art.Nr.: 23078 (black) and 23079 (silver)  
 EAN: 4005039230783 (black) and 4005039230790 (silver)

Specifications subject to change without notice.



**reflecta gmbh**

Merkurstrasse 8  
 D 72184 Eutingen

Phone: +49 (0) 7457 9465-60

Fax: +49 (0) 7457 9465-72

e-mail: [mail@reflecta.de](mailto:mail@reflecta.de)

http: [www.reflecta.de](http://www.reflecta.de)