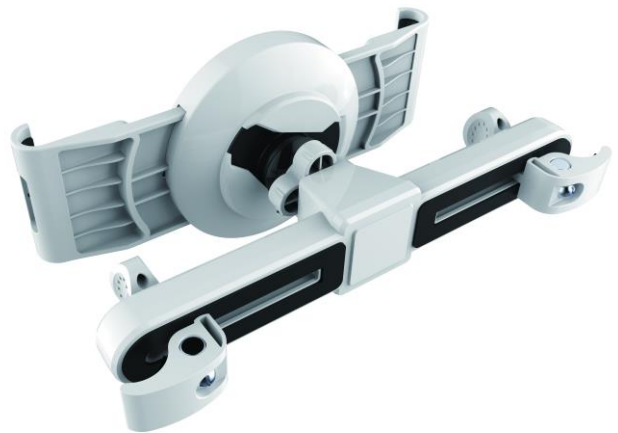


reflecta Tabula Car



Product information:

- Universal tablet holder for most 7-10.1" Tablets
- Fixation method: Headrest of front seats
- Portrait- and landscape view possible
- 360° Rotation
- Adjustable arms: 16,8 – 20,4 cm

Code: 23229

TESTMAGAZINE

Reflecta Tabula Car

Tablet-Autohalterung für 7 bis 10,4 Zoll

Testurteil - Gut (1,6)

Test 02/2016

Specifications are subject to change without notice

reflecta gmbh
 Merkurstrasse 8
 D 72184 Eutingen
 Phone: +49 (0) 7457 9465-60
 Fax: +49 (0) 7457 9465-72
 e-mail: mail@reflecta.de
 http: www.reflecta.de